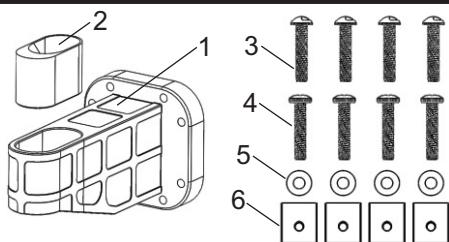


# RAPTOR BARREL BRACKET™

RPN#1040

## Package CONTENTS:

1. qty. 1 Raptor Barrel Bracket™
1. qty. 1 Rubber 0.9in dia barrel insert
3. qty. 4 Security 10-32 1in screws
4. qty. 4 Phillips 10-32 1in screws
5. qty. 4 #10 flat washers
6. qty. 4 10-32 T-Nuts



Permanent

Adjustable



fig.1



fig.1

1. Choose the phillips head screw (fig.1 A) for an adjustable installation -or- choose one-way security screw (fig.1 B) for a permanent installation.\* (\*suggested to test fit with phillips screws prior to using security screws.)

2. Insert desired mounting screws with flat washers through the corresponding base mounting holes. Then tread the T-Nuts on the mounting screws leaving the T-Nuts loose. (fig. 2)

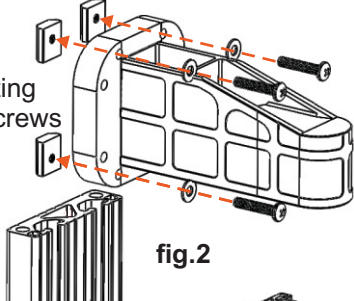


fig.2

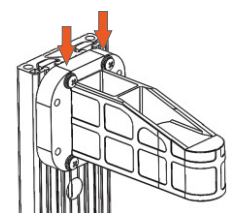


fig.3

3. Slide the Raptor Barrel Bracket™ on to the Raptor Rail™ aligning the T-Nuts to fit into the rail grooves. (fig. 3)

4. Position the Raptor Barrel Bracket™ to the desired location. Lightly tighten mounting screws to hold the bracket in place while still allowing for adjustment. (fig. 4)

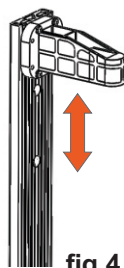


fig.4

5. Install a Raptor Buffer Mount™ or Raptor Picatinny Mount™ to complete your configuration. (fig. 5)



fig.5

6. Test fit your weapon and adjust the Raptor Barrel Bracket™ and Raptor Mounts™ for best fit. (fig. 6)

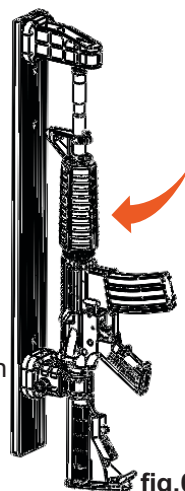


fig.6

7. Tighten the mounting screws on the Raptor Barrel Bracket™ and Raptor Mount™ by hand with a #2 phillips screw driver or a standard flat blade if using the one-way security screws. (fig. 7)

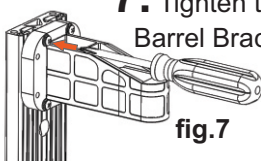


fig.7

WARRANTY REGISTRATION - go to: [www.usaraptor.com](http://www.usaraptor.com) and select Warranty Registration

## WARNING



## CUIDADO

- Always ensure Firearms are unloaded and safety is on prior to handling.
- Always maintain firearms in accordance with local, state and federal laws.
- Product is not intended for use by children (product is not a toy).
- Raptor Products, Inc. assumes no liability for unauthorized use of Raptor Products or the actions resulting thereof.
- Raptor Products, Inc. assumes no liability for authorized use of Raptor Products or the actions resulting thereof.
- Consumer assumes all liabilities for any action resulted from the use or misuse of Raptor Products at time of Purchase.
- Product is intended for securing to sturdy, substantial mounting surface such as a building wall stud, Raptor Products, Inc. assumes no liability for improper mounting to substrates that cannot handle the required forces.
- Do Not open or modify the product.
- Do Not Use power tools as this may result in over tightening.
- Do Not Use this product unless all screws and hardware are properly tightened.
- Check that all screws and hardware is tight every three months or as needed.
- Do not disassemble or attempt to service this product, as there may be adverse effects to the performance of the product.
- This product is safe under normal and reasonably foreseeable conditions.
- Do not immerse the product in any liquid or expose to heat, cold or moisture.
- Raptor Products are intended solely for the use with corresponding products.
- Abuse or Misuse of products may result in dangerous consequences, faulty product performance or other unintended consequences.
- Raptor Products, Inc. assumes no liability for such misuse of Raptor Products.
- Customer assumes all liability for bodily harm, death and/or property damage resulting from the use of Raptor Products.
- Customer assumes all liability for bodily harm, death and/or property damage resulting from the firearms/items that are retained by Raptor Products.

### RAPTOR PRODUCTS, INC. RETURN POLICY

- Items can be returned within 45 days with copy of the receipt.
- Items must be purchased through [www.USARAPTOR.COM](http://www.USARAPTOR.COM) to be eligible for return or exchange through Raptor Products, Inc.
- The item must be in its original packaging and free from wear or damage.
- There are no returns on final sale or discontinued items.
- The customer is liable for the return shipping to Raptor Products, Inc.
- Raptor Products, Inc. will send any requested and approved exchange items after the original merchandise is received at the warehouse.

### Raptor Products, Inc. LIMITED HARDWARE PRODUCT WARRANTY

Subject to terms, conditions and limitations outlined below, Raptor Products, Inc. guarantees its products against defects in materials and workmanship that adversely affect their operation for a period of one (1) year from the date of their original purchase by the initial consumer. This warranty is valid only for products purchased and used in the United States of America, its territories and possessions and Puerto Rico. This warranty only becomes effective if activated by the original consumer purchaser within 30 days of the purchase date, by completing the product warranty registration for your Raptor Products, Inc. products at [www.usaraptor.com](http://www.usaraptor.com). Raptor Products, Inc. reserves the right, at its sole discretion, to accept proof of purchase in lieu of a completed warranty card. To make a claim under this warranty, contact Raptor Products, Inc. Via the CONTACT US Information link Located at [www.USARAPTOR.COM](http://www.USARAPTOR.COM) for instructions on how to return your products. Do not return your Raptor Products for service without prior authorization. For your records, save your original receipt with these instructions/manual. Raptor Products brand packaging is designed to ensure product protection. Save original packaging in case of warranty shipping.

### LIMITATIONS OF WARRANTY (The warranty will be void if any of the following occur):

- 1.The instructions in the User manual and/or online are not followed;
- 2.Your Raptor Product(s) or any of its parts are altered or modified from their original state;
- 3.Damage is caused by misuse, abuse or improper maintenance;
- 4.Your Raptor Product(s) has been disassembled beyond the instructions state for normal install or use;
- 5.The period of time has elapsed outside the stated warranty coverage time;
- 6.There are no warranties which extend beyond the description on the face hereof;
- 7.The sole and exclusive remedy pursuant to this warranty is the repair or replacement of your Raptor Products, at the sole discretion of Raptor Products, Inc.;
- 8.The implied warranties of merchantability and fitness for a particular purpose are expressly disclaimed;
- 9.All disclaimers and limitations of liability shall still apply even if the limited remedy of repair and replacement fails of its essential purpose;
10. In states where permitted, Raptor Products, Inc. assumes no liability for incidental or consequential damage or for incidental expenses;
11. Any action against Raptor Products, Inc. based on an alleged breach of this warranty must be brought within one (1)year of the claimed breach;
12. Raptor Products, Inc. shall not be liable for any harm and/or damages, whether direct, incidental or consequential to the products, persons or property;
14. This warranty gives you specific legal rights, and you may also have other rights which vary from state to state;
15. Please review the complete warranty information immediately prior to and after any purchase of Raptor Products;
16. Raptor Products, Inc.'s liability for breach of warranty shall be limited to repair or replacement of your Raptor Products, at the sole discretion of Raptor Products, Inc.;
17. Raptor Products, Inc. reserves the right to modify this warranty at any time.

Printed in the USA for: Raptor Products, Inc.

\*\*visit [www.usaraptor.com](http://www.usaraptor.com) for the latest product warnings and warranty registration\*\*



visit [usaraptor.com](http://usaraptor.com)



# RAPTOR

SECURE DISPLAY ACCESS PRODUCTS



© 2015 Raptor Products, Inc. | All Rights Reserved