



RAPTOR BARREL BRACKET™



RAPTOR PICATINNY MOUNT™



RAPTOR MAGAZINE HOLDER™ *

*Raptor Magazine Holder(s) pictured are optional accessories



RAPTOR RAIL™ 18"

RAPTOR QUAD RAIL CARBINE SYSTEM™

RAPTOR BENCHTOP SYSTEM™



RAPTOR RAIL FEET™



RAPTOR MAGAZINE MOUNT™

RAPTOR RAIL™ 18"

MADE IN THE USA 

WWW.USARAPTOR.COM

RAPTOR
SECURE DISPLAY ACCESS PRODUCTS



32"

RAPTOR RAIL™

The Raptor Rail™ is a sturdy foundation for your Raptor Products™ system configuration.



RAPTOR BARREL BRACKET™

The Raptor Barrel Bracket™ secures your rifle's barrel as part of your custom Raptor Products™ system configuration.



RAPTOR STANDOFF™

The Raptor Standoff™ allows you to increase clearance for your tall firearm accessories.



RAPTOR BUFFER MOUNT™

The Raptor Buffer Mount™ "auto-locking" technology grasps your firearm's buffer tube to secure your rifle when you have limited rail space available on your weapon.

RAPTOR LONG RAIL SYSTEM™



MADE IN  THE USA

WWW.USARAPTOR.COM

RAPTOR
SECURE DISPLAY ACCESS PRODUCTS





RAPTOR HOLSTER MOUNTING PLATE™

RAPTOR HOLSTER OFF-ROAD SYSTEM™



ROLLBAR MOUNTS*



RAPTOR HOLSTER™

*SPECIFY ROLL BAR MOUNT DIAMETER



RAPTOR HOLSTER™

RAPTOR HOLSTER G-CODE SYSTEM™



RAPTOR HOLSTER G-CODE ADAPTOR PLATE™*

*REQUIRES PURCHASE OF DESIRED RTI HANGER AND ACCESSORIES



MADE IN THE USA

WWW.USARAPTOR.COM

RAPTOR
SECURE DISPLAY ACCESS PRODUCTS



3"
RAPTOR RAIL™
The Raptor Rail™ is a sturdy foundation for your Raptor Products™ system configuration.



RAPTOR BARREL BRACKET™

The Raptor Barrel Bracket™ secures your rifle's barrel as part of your custom Raptor Products™ system configuration.



RAPTOR PICATINNY MOUNT™

The Raptor Picatinny Mount™ "auto-locking" technology secures onto your firearm's picatinny rail, providing security and fast access to your rifle.

3"

RAPTOR RAIL™
The Raptor Rail™ is a sturdy foundation for your Raptor Products™ system configuration.

RAPTOR SHORT RAIL SYSTEM™

MADE IN THE USA 

WWW.USARAPTOR.COM

RAPTOR
SECURE DISPLAY ACCESS PRODUCTS



RAPTOR PICATINNY MOUNT™

The Raptor Picatinny Mount™ "auto-locking" technology secures onto your firearm's picatinny rail, providing security and fast access to your rifle.

RAPTOR HOLSTER™ *

The Raptor Holster™ secures your GLOCK® for unprecedented staging and immediate access

*Raptor Holster pictured are optional accessories



RAPTOR MULTI-WEAPON TRANSPORT CASE™

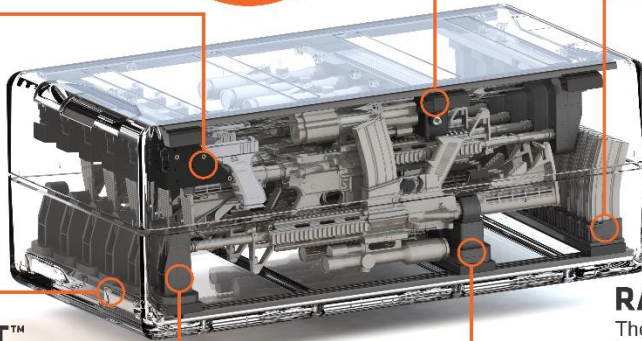
RAPTOR MAGAZINE HOLDER™ *

The Raptor Magazine Holder™ securely retains magazines for backup, staging, inventory and storage.



*Raptor Magazine Holder(s) pictured are optional accessories

RAPTOR RAIL™
The Raptor Rail™ is a sturdy foundation for your Raptor Products™ system configuration



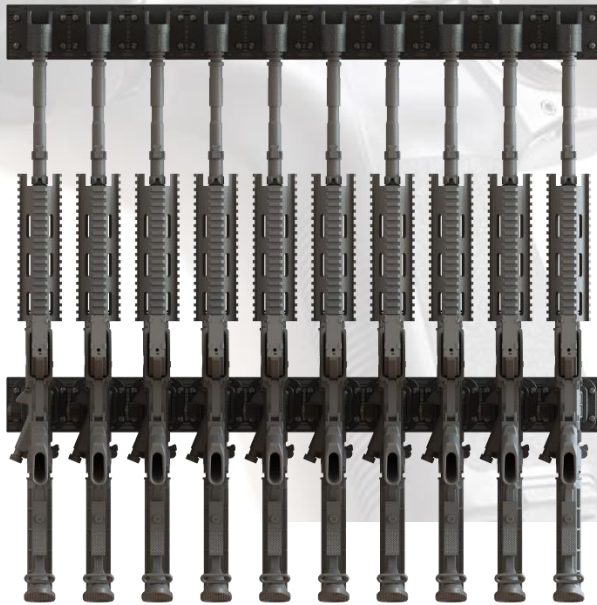
RAPTOR BUFFER MOUNT™

The Raptor Buffer Mount™ "auto-locking" technology grasps your firearm's buffer tube to secure your rifle when you have limited rail space available on your weapon.



RAPTOR BARREL BRACKET™

The Raptor Barrel Bracket™ secures your rifle's barrel as part of your custom Raptor™ Products system configuration.



MADE IN THE USA 

WWW.USARAPTOR.COM

RAPTOR
SECURE DISPLAY ACCESS PRODUCTS

