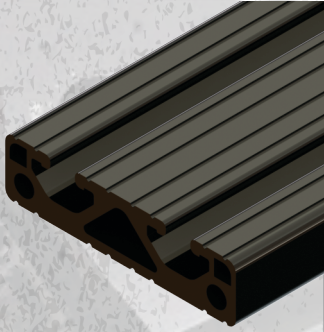


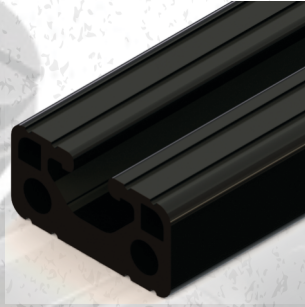
RAPTOR PRODUCTS RAIL AND BRACKET GUIDE

1 RAPTOR RAILS

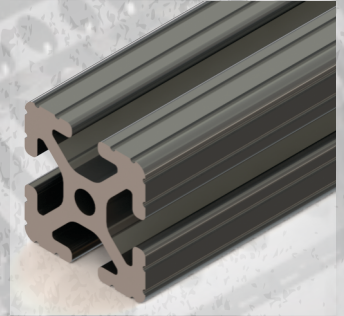
RAPTOR RAIL



RAPTOR RAIL 0.5X

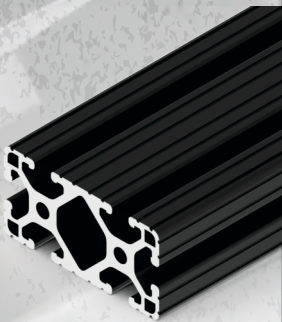


RAPTOR RAIL 1.5X

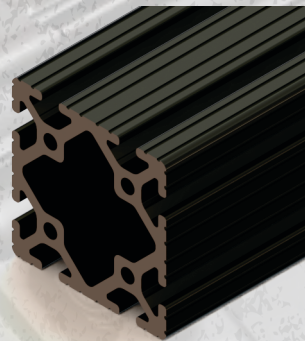


2 RAPTOR RAILS

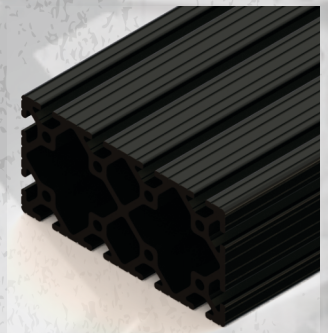
RAPTOR RAIL 2X



RAPTOR RAIL 4X

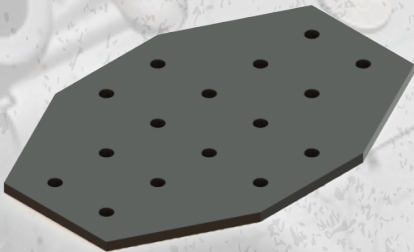


RAPTOR RAIL 6X

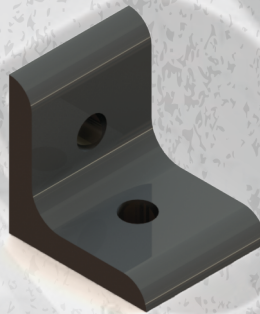


3 RAPTOR BRACKETS

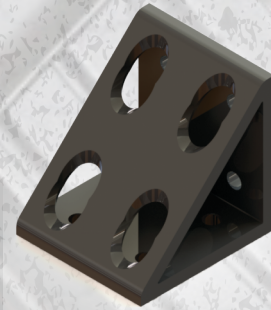
FLOOR PLATE



2-HOLE 90 DEG

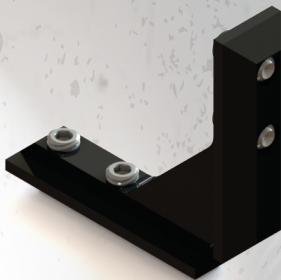


8-HOLE 90 DEG

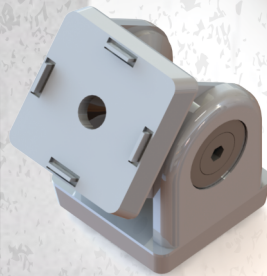


4 RAPTOR BRACKETS

INSIDE 90 DEG



PIVOT JOINT



CUSTOM MACHINING



www.USARAPTOR.com

